

PULLEY TWIN

RK802EE00
RK802BB00(black)

Large double pulley for textile ropes.

CE 1019

EN 12 278:2007



orange / silver



black matt



Reading and understanding instruction for use are required to use this product!
Bez důkladného pročtení a pochopení návodu k použití nepoužívejte tento výrobek

WEIGHT: 421 g (14.9 oz)
ROPE: textile max. \varnothing 13 mm
COLOR: orange / silver (RK0082EE00)
black matt (RK802BB00)

MATERIAL:
Sheave: aluminum alloy
Side plates: aluminum alloy
Sealed ball bearing: steel
Axle: stainless steel

For better traceability and inspection this part is marked with the unique production number.

XXXX - MMY

Serial no. ↑ month ↑ year of production

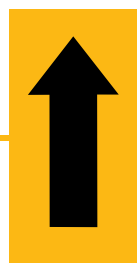
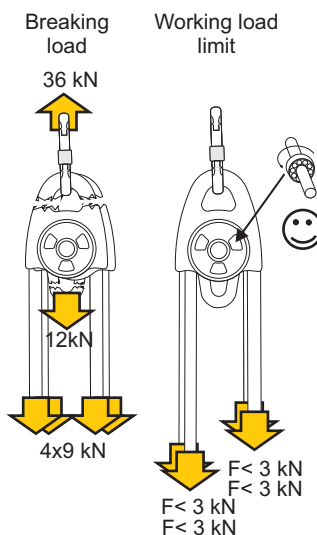
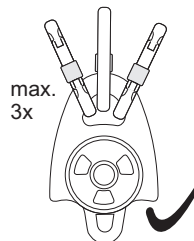
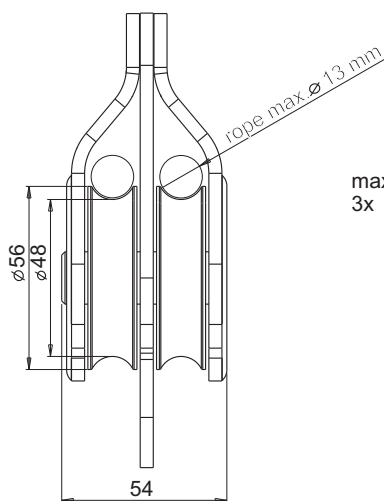
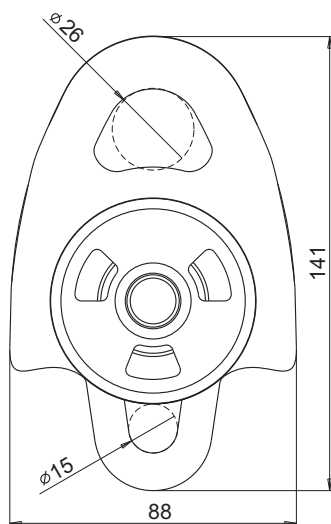


2 years guarantee
2 roky záruka

For those who need great hauling efficiency, durability and lightweight pulley. Suitable also for Prusik friction knot or any clamp.

- durable and lightweight high-efficiency double pulley for industrial use and hauling systems
- sealed ball bearing and large diameter of the sheave provides great efficiency 94%
- designed and optimized for use with a Prusik friction knot or any clamps
- top attachment point accepts up to three carabiners
- formed side plates provides protection of rope against contact with a surrounding
- fixed-by-forging sheave and anti dust cover of ball bearing provides great lifespan
- side plate holes enable cleaning of the ball-bearing surrounding
- unique production number marking
- available also in black color (RK802BB00)

Technical data



singing rock

SAFETY FIRST